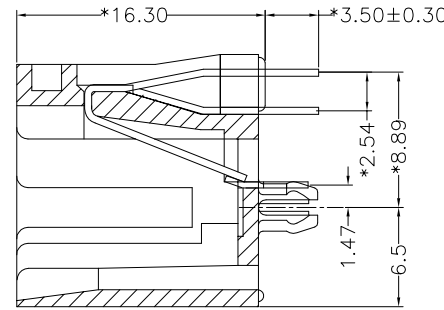
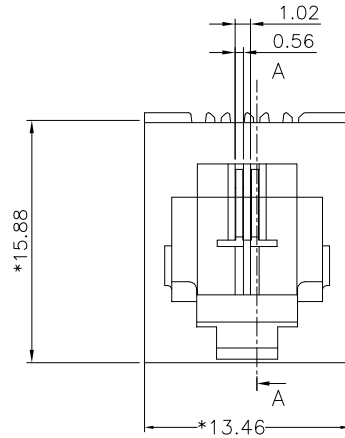
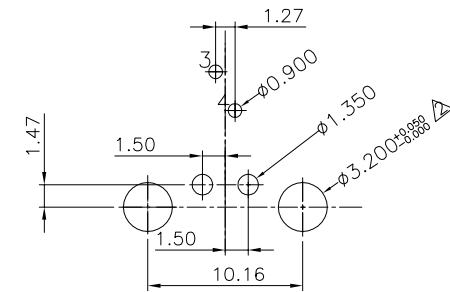
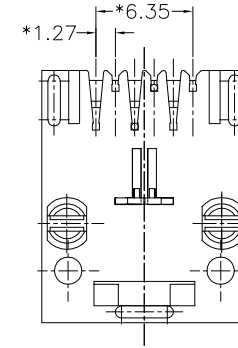
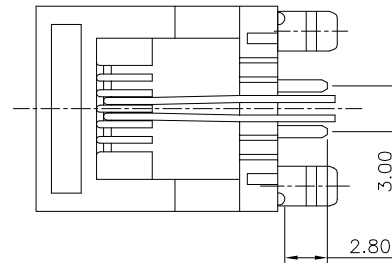


REVISION RECORD				
REV	ECO	DESCRIPTION	DRFT	CHKD
△		Note Modify	sammy 09/15/03	
△		Drawing Modify	sammy 11/25/03	
△		Drawing Modify	Among 11/25/04	
△		Drawing Modify	SAMMY 04/12/05	



SECTION A-A



PC Board layout
Component Side Shown

NOTES:

ELECTRICAL:

- VOLTAGE RATING : 125 VAC RMS MIN.
- CURRENT RATING : 1.5 AMP MIN.
- CONTACT RESISTANCE : 30 MILLIOHMS MAX.
- INSULATION RESISTANCE: 1000 MEGOHMS MIN @ 500 VDC.
- DIELECTRIC STRENGTH : 750 VAC RMS 50Hz, 1MIN. △

MECHANICAL:

- HOUSING MATERIAL : THERMOPLASTIC HIGH TEMP., UL94V-0
- CONTACT MATERIAL : PHOSPHOR BRONZE ϕ 0.46mm
- △ PLATING : GOLD PLATING OVER NICKEL.
- OPERATING LIFE : 750 CYCLES MIN.
- PCB RETENTION PRE-SOLDER : 1 LB MIN.
- PCB RETENTION POST-SOLDER: 10 LBS MIN.

ENVIRONMENTAL:

- STORAGE : -40°C TO +85°C.
- △ OPERATION: -40°C TO +85°C.

MATES WITH MODULAR PLUG CONFORMING TO

FCC PART 68, SUBPART F.

CUL FILE NO. E163191

PART NUMBER: E5262-Y08P4X

1- 3u" 2- 6u" 3-15u"
4-30u" 5-50u" 6-Pd20u"

DETACHED LISTS	← MM (INCH) →		DFTO SAMMY	DATE 05/13/03	FULL RISE ELECTRONIC CO., LTD TITLE WITH SHORTING LEG TOP ENTRY PCB JACK
	TOLERANCES EXCEPT AS NOTED		CHKDANKE	DATE 2005/06/10	
			MFO	DATE	
			APPVLLUSHENG	DATE 2005/06/10	
MM		±	MATERIAL :		DRAWING NO: E523081
.0 ±0.20		±	QT'Y :		
.00 ±0.15		±	FINISH :		REV 4
.000 ±0.075		±	SCALE : 2:1		DO NOT SCALE DRAWING
ANGLES ±		THIRD ANGLE PROJECTION		SHEET X OF Y	